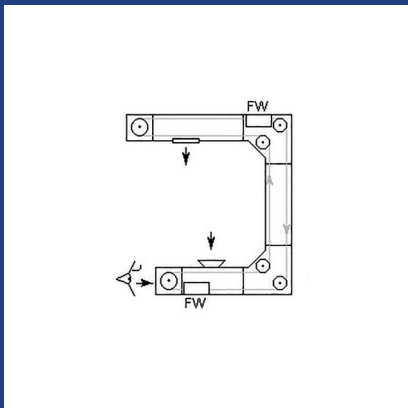


## Model & Types\*

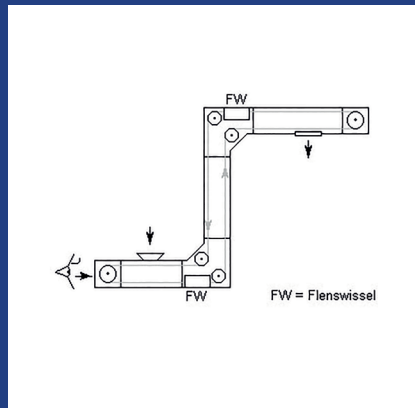
Type	l/h
100	10.000
200	23.000
600	59.000
Bucket materials	Anti-static, FDA approved and TDA detectable by metal detector
Configurations	Painted carbon steel, stainless steel or wash down version



### C-model Bucket elevator



### Z-model Bucket elevator



## Typical products being transported bij Bucket Elevators

- Grains • Coffee • Sweets • Sugar • Rice • Beans • Pet food • Peanuts • Flakes • Seeds • Tea